



DC-鼓风机风扇 35x35x10mm

马达可选功能列表 (Available Functions)

1. 马达保护 (Motor protection)

AS

2. 信号输出 (Signal out put)

FG

RD

3. 调速方式 (Speed control mode)

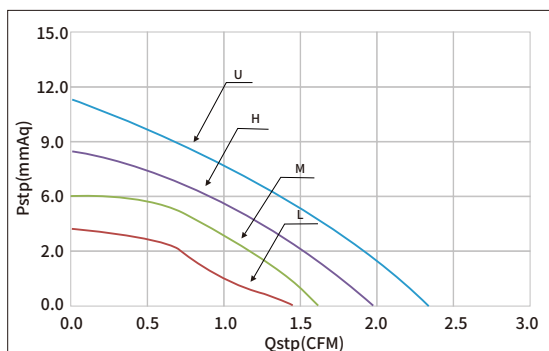
PWM



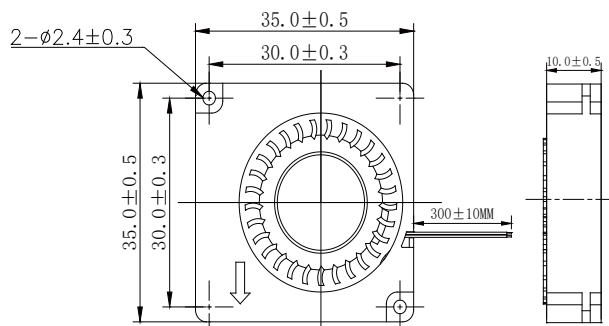
风扇单重: 10g (weight: 10g)



风扇P-Q曲线 / Fan performance curve



尺寸图 / DIMENSIONS DRAWING



| Model | Bearing | Rated Voltage | Startup Voltage | Current | Power | Speed | Air Flow | | Static Pressure | | Noise | |
|-----------|----------|---------------|-----------------|---------|-------|-------|----------|---------------------|-----------------|--------------------|--------------------|------|
| 型号 | 轴承 | 工作电压 | 启动电压 | 电流 | 功率 | 转速 | 风量 | 风量 | 风压 | 风压 | 噪音 | |
| Part NO. | Function | System | VDC | VDC | A | W | RPM | M ³ /min | CFM | mmH ₂ O | INH ₂ O | dBA |
| HBH3505UG | | Hydraulic | 5 | 4.0 | 0.15 | 0.75 | 8500 | 0.07 | 2.35 | 11.32 | 0.45 | 30.9 |
| HBH3505HG | | | | 4.0 | 0.11 | 0.55 | 7500 | 0.06 | 1.98 | 8.52 | 0.34 | 28.1 |
| HBH3505MG | | | | 4.0 | 0.08 | 0.40 | 6500 | 0.05 | 1.62 | 6.02 | 0.24 | 25.7 |
| HBH3505LG | | | | 4.0 | 0.05 | 0.25 | 5500 | 0.04 | 1.46 | 4.21 | 0.17 | 23.0 |
| HBH3512UG | | Hydraulic | 12 | 6.0 | 0.08 | 0.96 | 8500 | 0.07 | 2.35 | 11.32 | 0.45 | 30.9 |
| HBH3512HG | | | | 6.0 | 0.72 | 0.72 | 7500 | 0.06 | 1.98 | 8.52 | 0.34 | 28.1 |
| HBH3512MG | | | | 6.0 | 0.60 | 0.60 | 6500 | 0.05 | 1.62 | 6.02 | 0.24 | 25.7 |
| HBH3512LG | | | | 6.0 | 0.48 | 0.48 | 5500 | 0.04 | 1.46 | 4.21 | 0.17 | 23.0 |