



DC-直流轴流风扇 40x40x10mm-1

马达可选功能列表 (Available Functions)

1. 马达保护 (Moto protection)

AS

2. 信号输出 (Signal out put)

FG

RD

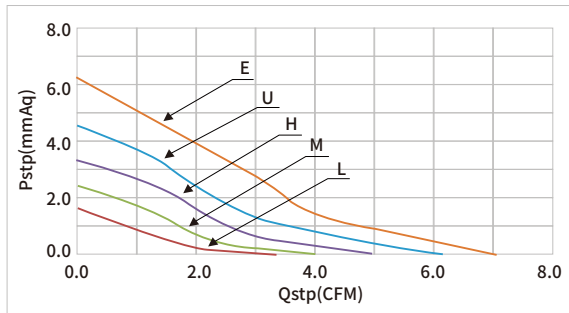
3. 调速方式 (Speed control mode)

PWM

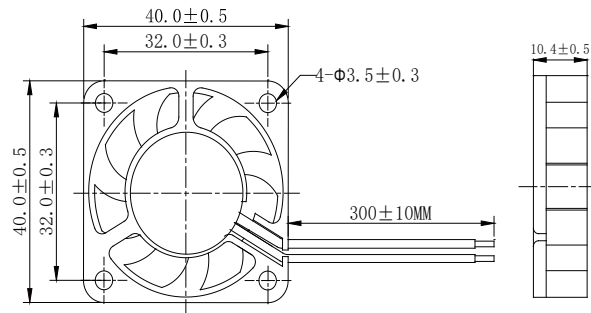


风扇单重: 15g (weight: 15g)

风扇P-Q曲线 / Fan performance curve



尺寸图 / DIMENSIONS DRAWING



| Model | | Bearing | Rated Voltage | Startup Voltage | Current | Power | Speed | Air Flow | | Static Pressure | | Noise |
|-------------|----------|-----------|---------------|-----------------|---------|-------|-------|----------|------|-----------------|-------|-------|
| 型号 | | 轴承 | 工作电压 | 启动电压 | 电流 | 功率 | 转速 | 风量 | 风量 | 风压 | 风压 | 噪音 |
| Part NO. | Function | System | VDC | VDC | A | W | RPM | M³/min | CFM | mmH₂O | INH₂O | dBA |
| HDH0405UG-1 | | Hydraulic | 5 | 4.0 | 0.22 | 1.10 | 7000 | 0.18 | 6.19 | 4.52 | 0.18 | 31.7 |
| HDH0405HG-1 | | | | 4.0 | 0.17 | 0.85 | 6000 | 0.14 | 4.97 | 3.29 | 0.13 | 27.4 |
| HDH0405MG-1 | | | | 4.0 | 0.11 | 0.55 | 5000 | 0.11 | 4.06 | 2.41 | 0.09 | 23.1 |
| HDH0405LG-1 | | | | 4.5 | 0.08 | 0.40 | 4000 | 0.10 | 3.49 | 1.63 | 0.06 | 19.8 |
| HDB0405UG-1 | | Ball | | 4.0 | 0.22 | 1.10 | 7000 | 0.18 | 6.19 | 4.52 | 0.18 | 31.7 |
| HDB0405HG-1 | | | | 4.0 | 0.17 | 0.85 | 6000 | 0.14 | 4.97 | 3.29 | 0.13 | 27.4 |
| HDB0405MG-1 | | | | 4.0 | 0.11 | 0.55 | 5000 | 0.11 | 4.06 | 2.41 | 0.09 | 23.1 |
| HDB0405LG-1 | | | | 4.5 | 0.08 | 0.40 | 4000 | 0.10 | 3.49 | 1.63 | 0.06 | 19.8 |
| HDH0412EG-1 | | Hydraulic | 12 | 7.0 | 0.15 | 1.80 | 8000 | 0.20 | 7.07 | 6.20 | 0.24 | 34.3 |
| HDH0412UG-1 | | | | 7.0 | 0.12 | 1.44 | 7000 | 0.18 | 6.19 | 4.52 | 0.18 | 31.7 |
| HDH0412HG-1 | | | | 9.0 | 0.10 | 1.20 | 6000 | 0.14 | 4.97 | 3.29 | 0.13 | 27.4 |
| HDH0412MG-1 | | | | 9.0 | 0.08 | 0.96 | 5000 | 0.11 | 4.06 | 2.41 | 0.09 | 23.1 |
| HDH0412LG-1 | | Ball | | 9.0 | 0.07 | 0.84 | 4000 | 0.10 | 3.49 | 1.63 | 0.06 | 19.8 |
| HDB0412EG-1 | | | | 7.0 | 0.15 | 1.80 | 8000 | 0.20 | 7.07 | 6.20 | 0.24 | 34.3 |
| HDB0412UG-1 | | | | 7.0 | 0.12 | 1.44 | 7000 | 0.18 | 6.19 | 4.52 | 0.18 | 31.7 |
| HDB0412HG-1 | | | | 9.0 | 0.10 | 1.20 | 6000 | 0.14 | 4.97 | 3.29 | 0.13 | 27.4 |
| HDB0412MG-1 | | Hydraulic | 24 | 9.0 | 0.08 | 0.96 | 5000 | 0.11 | 4.06 | 2.41 | 0.09 | 23.1 |
| HDB0412LG-1 | | | | 9.0 | 0.07 | 0.84 | 4000 | 0.10 | 3.49 | 1.63 | 0.06 | 19.8 |
| HDH0424EG-1 | | | | 12.0 | 0.07 | 1.68 | 8000 | 0.20 | 7.07 | 6.20 | 0.24 | 34.3 |
| HDH0424UG-1 | | | | 12.0 | 0.06 | 1.44 | 7000 | 0.18 | 6.19 | 4.52 | 0.18 | 31.7 |
| HDH0424HG-1 | | | | 12.0 | 0.05 | 1.20 | 6000 | 0.14 | 4.97 | 3.29 | 0.13 | 27.4 |
| HDH0424MG-1 | | | | 12.0 | 0.04 | 0.96 | 5000 | 0.11 | 4.06 | 2.41 | 0.09 | 23.1 |
| HDH0424LG-1 | | | | 12.0 | 0.03 | 0.72 | 4000 | 0.10 | 3.49 | 1.63 | 0.06 | 19.8 |
| HDB0424EG-1 | | | | Ball | 12.0 | 0.07 | 1.68 | 8000 | 0.20 | 7.07 | 6.20 | 0.24 |
| HDB0424UG-1 | | 12.0 | 0.06 | | 1.44 | 7000 | 0.18 | 6.19 | 4.52 | 0.18 | 31.7 | |
| HDB0424HG-1 | | 12.0 | 0.05 | | 1.20 | 6000 | 0.14 | 4.97 | 3.29 | 0.13 | 27.4 | |
| HDB0424MG-1 | | 12.0 | 0.04 | | 0.96 | 5000 | 0.11 | 4.06 | 2.41 | 0.09 | 23.1 | |
| HDB0424LG-1 | | | 12.0 | 0.03 | 0.72 | 4000 | 0.10 | 3.49 | 1.63 | 0.06 | 19.8 | |