



DC-直流轴流风扇 45x45x10mm

马达可选功能列表 (Available Functions)

1. 马达保护 (Moto protection)

AS

2. 信号输出 (Signal out put)

FG

RD

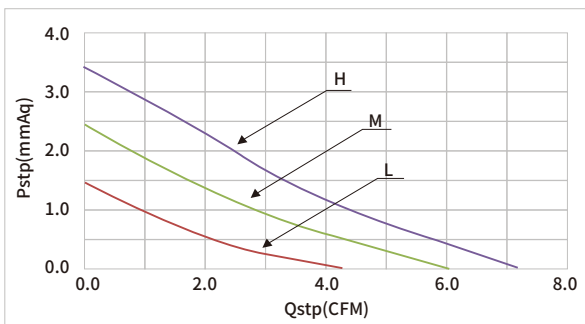
3. 调速方式 (Speed control mode)

PWM

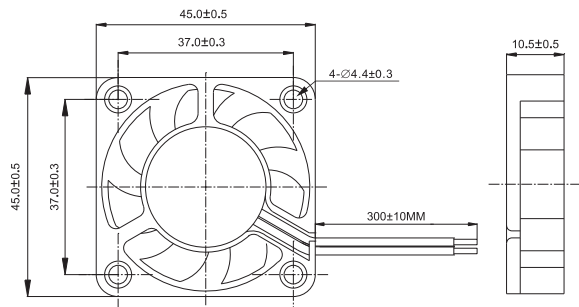


风扇单重: 14g (weight: 14g)

风扇P-Q曲线 / Fan performance curve



尺寸图 / DIMENSIONS DRAWING



| Model | | Bearing | Rated Voltage | Startup Voltage | Current | Power | Speed | Air Flow | | Static Pressure | | Noise |
|-----------|----------|---------|---------------|-----------------|---------|-------|-------|---------------------|------|--------------------|--------------------|-------|
| 型号 | | 轴承 | 工作电压 | 启动电压 | 电流 | 功率 | 转速 | 风量 | | 风压 | | 噪音 |
| Part NO. | Function | System | VDC | VDC | A | W | RPM | M ³ /min | CFM | mmH ₂ O | INH ₂ O | dB(A) |
| HDS4505HG | | Sleeve | 5 | 4.0 | 0.23 | 1.15 | 6000 | 0.21 | 7.25 | 3.41 | 0.13 | 30.6 |
| HDS4505MG | | | | 4.0 | 0.20 | 1.00 | 5000 | 0.17 | 6.10 | 2.44 | 0.10 | 26.3 |
| HDS4505LG | | | | 4.0 | 0.15 | 0.75 | 4000 | 0.12 | 4.34 | 1.45 | 0.06 | 21.0 |
| HDB4505HG | | Ball | | 4.0 | 0.23 | 1.15 | 6000 | 0.21 | 7.25 | 3.41 | 0.13 | 30.6 |
| HDB4505MG | | | | 4.0 | 0.20 | 1.00 | 5000 | 0.17 | 6.10 | 2.44 | 0.10 | 26.3 |
| HDB4505LG | | | | 4.0 | 0.15 | 0.75 | 4000 | 0.12 | 4.34 | 1.45 | 0.06 | 21.0 |
| HDS4512HG | | Sleeve | 12 | 7.0 | 0.10 | 1.20 | 6000 | 0.21 | 7.25 | 3.41 | 0.13 | 30.6 |
| HDS4512MG | | | | 7.0 | 0.09 | 1.08 | 5000 | 0.17 | 6.10 | 2.44 | 0.10 | 26.3 |
| HDS4512LG | | | | 9.0 | 0.08 | 0.96 | 4000 | 0.12 | 4.34 | 1.45 | 0.06 | 21.0 |
| HDB4512HG | | Ball | | 7.0 | 0.10 | 1.20 | 6000 | 0.21 | 7.25 | 3.41 | 0.13 | 30.6 |
| HDB4512MG | | | | 7.0 | 0.09 | 1.08 | 5000 | 0.17 | 6.10 | 2.44 | 0.10 | 26.3 |
| HDB4512LG | | | | 9.0 | 0.08 | 0.96 | 4000 | 0.12 | 4.34 | 1.45 | 0.06 | 21.0 |
| HDS4524HG | | Sleeve | 24 | 12.0 | 0.07 | 1.68 | 6000 | 0.21 | 7.25 | 3.41 | 0.13 | 30.6 |
| HDS4524MG | | | | 12.0 | 0.06 | 1.44 | 5000 | 0.17 | 6.10 | 2.44 | 0.10 | 26.3 |
| HDS4524LG | | | | 12.0 | 0.04 | 0.96 | 4000 | 0.12 | 4.34 | 1.45 | 0.06 | 21.0 |
| HDB4524HG | | Ball | | 12.0 | 0.07 | 1.68 | 6000 | 0.21 | 7.25 | 3.41 | 0.13 | 30.6 |
| HDB4524MG | | | | 12.0 | 0.06 | 1.44 | 5000 | 0.17 | 6.10 | 2.44 | 0.10 | 26.3 |
| HDB4524LG | | | | 12.0 | 0.04 | 0.96 | 4000 | 0.12 | 4.34 | 1.45 | 0.06 | 21.0 |