



## DC-直流轴流风扇 172x150x51mm

### 马达可选功能列表 (Available Functions)

1. 马达保护 (Moto protection)

AS

2. 信号输出 (Signal out put)

FG

RD

3. 调速方式 (Speed control mode)

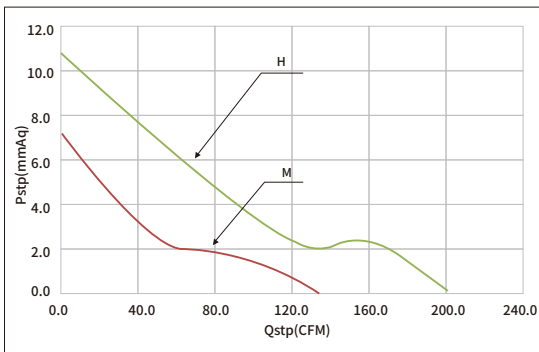
PWM



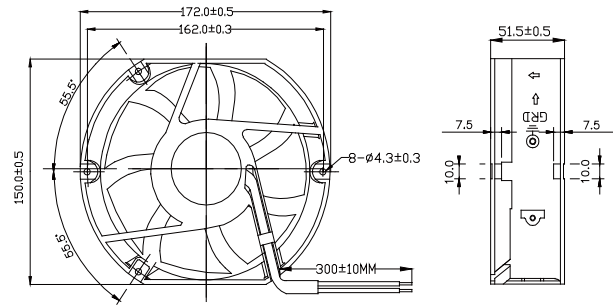
风扇单重: 650g (weight: 650g)



### 风扇P-Q曲线 / Fan performance curve



### 尺寸图 / DIMENSIONS DRAWING



| Model     |          | Bearing | Rated Voltage | Startup Voltage | Current | Power | Speed | Air Flow |        | Static Pressure    |                    | Noise |
|-----------|----------|---------|---------------|-----------------|---------|-------|-------|----------|--------|--------------------|--------------------|-------|
| 型号        |          | 轴承      | 工作电压          | 启动电压            | 电流      | 功率    | 转速    | 风量       |        | 风压                 |                    | 噪音    |
| Part NO.  | Function | System  | VDC           | VDC             | A       | W     | RPM   | M³/min   | CFM    | mmH <sub>2</sub> O | INH <sub>2</sub> O | dBA   |
| HDB1712HU | -A       | Ball    | 12            | 5.0             | 2.60    | 31.20 | 3000  | 5.70     | 201.47 | 10.78              | 0.42               | 52.0  |
| HDB1712MU | -A       |         |               | 5.0             | 0.85    | 10.20 | 2000  | 3.80     | 134.31 | 7.19               | 0.28               | 40.3  |
| HDB1724HU | -A       | Ball    | 24            | 12.0            | 1.30    | 31.20 | 3000  | 5.70     | 201.47 | 10.78              | 0.42               | 52.0  |
| HDB1724MU | -A       |         |               | 12.0            | 0.30    | 7.20  | 2000  | 3.80     | 134.31 | 7.19               | 0.28               | 40.3  |
| HDB1748HU | -A       | Ball    | 48            | 24.0            | 0.65    | 31.20 | 3000  | 5.70     | 201.47 | 10.78              | 0.42               | 52.0  |
| HDB1748MU | -A       |         |               | 24.0            | 0.16    | 7.68  | 2000  | 3.80     | 134.31 | 7.19               | 0.28               | 40.3  |