



无框架-三角支架 40x40x10mm-2

马达可选功能列表 (Available Functions)

1. 马达保护 (Moto protection)

AS

2. 信号输出 (Signal out put)

FG

RD

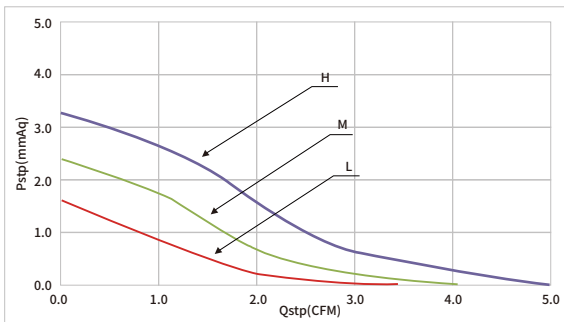
3. 调速方式 (Speed control mode)

PWM

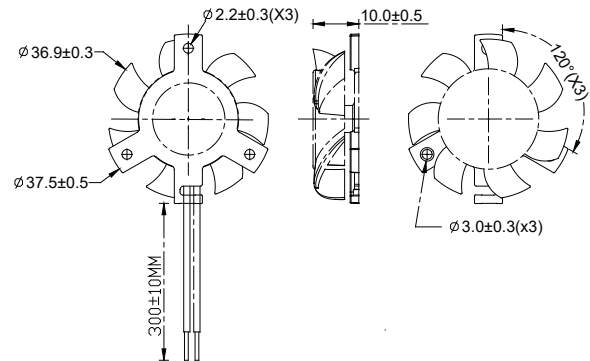


风扇单重: 7g (weight: 7g)

风扇P-Q曲线 / Fan performance curve



尺寸图 / DIMENSIONS DRAWING



| Model | | Bearing | Rated Voltage | Startup Voltage | Current | Power | Speed | Air Flow | Static Pressure | Noise |
|-------------|----------|--------------|---------------|-----------------|---------|-------|-----------|-------------------------|---------------------------------------|-------|
| 型号 | 功能 | 轴承 | 工作电压 | 启动电压 | 电流 | 功率 | 转速 | 风量 | 风压 | 噪音 |
| Part NO. | Function | System | VDC | VDC | A | W | RPM | M ³ /min CFM | mmH ₂ O INH ₂ O | dBA |
| HYB0412HG-2 | | Sleeve /Ball | 12 | 9.0 | 0.10 | 1.20 | 6000 | 0.14 4.97 | 3.29 0.13 | 27.4 |
| HYB0412MG-2 | 9.0 | | | 0.08 | 0.96 | 5000 | 0.11 4.06 | 2.41 0.09 | 23.1 | |
| HYB0412LG-2 | 9.0 | | | 0.07 | 0.84 | 4000 | 0.10 3.49 | 1.63 0.06 | 19.8 | |