



DC-鼓风机风扇 75x75x30mm

马达可选功能列表 (Available Functions)

1. 马达保护 (Moto protection)

AS

2. 信号输出 (Signal out put)

FG

RD

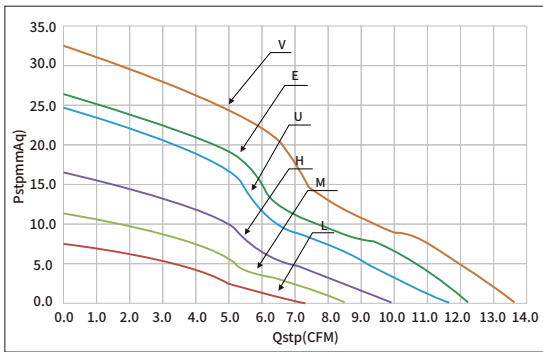
3. 调速方式 (Speed control mode)

PWM

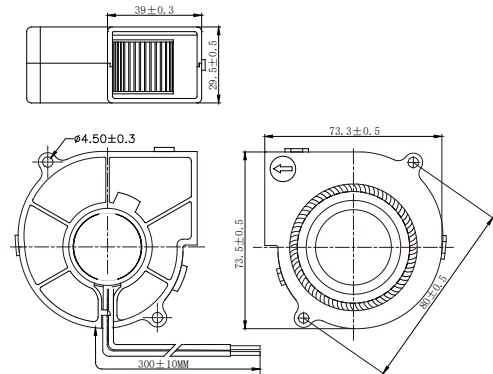


风扇单重: 83g (weight: 83g)

风扇P-Q曲线 / Fan performance curve



尺寸图 / DIMENSIONS DRAWING



Model	Bearing	Rated Voltage	Startup Voltage	Current	Power	Speed	Air Flow	Static Pressure	Noise					
型号	轴承	工作电压	启动电压	电流	功率	转速	风量	风压	噪音					
Part NO.	Function	System	VDC	VDC	A	W	RPM	M ³ /min	CFM	mmH ₂ O	INH ₂ O	dBA		
HBS7512HY	-A	Sleeve	12	5.0	0.18	2.16	3500	0.29	10.08	16.66	0.66	40.6		
HBS7512MY				5.0	0.15	1.80	3000	0.24	8.62	11.41	0.45	37.0		
HBS7512LY				5.0	0.12	1.44	2500	0.21	7.37	7.54	0.30	33.3		
HBB7512VY	-A			5.0	0.43	5.16	5000	0.39	13.68	32.53	1.28	50.0		
HBB7512EY	-A			5.0	0.36	4.32	4500	0.35	12.31	26.35	1.04	47.7		
HBB7512UY	-A			Ball	12	5.0	0.24	2.88	4200	0.33	11.74	24.74	0.97	45.3
HBB7512HY						5.0	0.18	2.16	3500	0.29	10.08	16.66	0.66	40.6
HBB7512MY						5.0	0.15	1.80	3000	0.24	8.62	11.41	0.45	37.0
HBB7512LY						5.0	0.12	1.44	2500	0.21	7.37	7.54	0.30	33.3
HBS7524HY	-A			Sleeve	24	12.0	0.20	4.80	3500	0.29	10.08	16.66	0.66	40.6
HBS7524MY		12.0	0.12			2.88	3000	0.24	8.62	11.41	0.45	37.0		
HBS7524LY		12.0	0.10			2.40	2500	0.21	7.37	7.54	0.30	33.3		
HBB7524EY	-A	Ball	24			12.0	0.38	9.12	4500	0.35	12.31	26.35	1.04	47.7
HBB7524UY	-A					12.0	0.27	6.48	4200	0.33	11.74	24.74	0.97	45.3
HBB7524HY	-A					12.0	0.20	4.80	3500	0.29	10.08	16.66	0.66	40.6
HBB7524MY						12.0	0.12	2.88	3000	0.24	8.62	11.41	0.45	37.0
HBB7524LY		12.0	0.10			2.40	2500	0.21	7.37	7.54	0.30	33.3		