



EC-轴流风扇 172x150x51mm

马达可选功能列表 (Available Functions)

1. 马达保护 (Moto protection)

AS

2. 信号输出 (Signal out put)

FG

RD

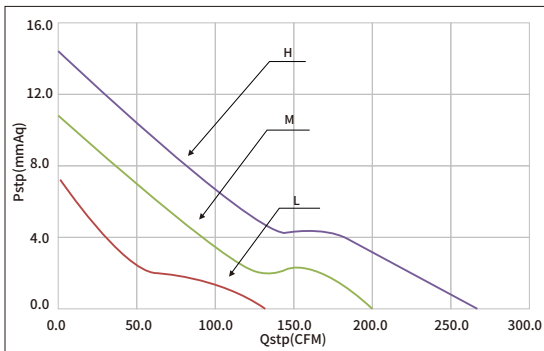
3. 调速方式 (Speed control mode)

PWM

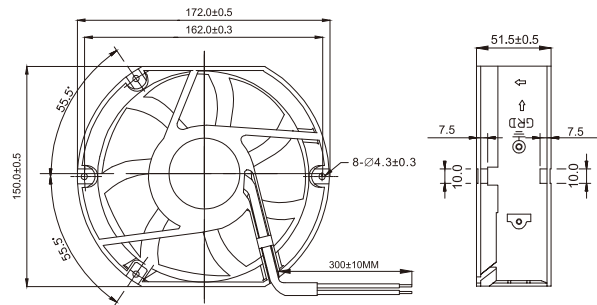


风扇单重: 580g (weight: 580g)

风扇P-Q曲线 / Fan performance curve



尺寸图 / DIMENSIONS DRAWING



| Model | Bearing | Rated Voltage | Startup Voltage | Current | Power | Speed | Air Flow | Static Pressure | Noise | | | |
|------------|----------|---------------|-----------------|---------|-------|-------|----------|---------------------|--------|--------------------|--------------------|-------|
| 型号 | 轴承 | 工作电压 | 启动电压 | 电流 | 功率 | 转速 | 风量 | 风压 | 噪音 | | | |
| Part NO. | Function | System | VAC | VAC | Hz | W | RPM | M ³ /min | CFM | mmH ₂ O | INH ₂ O | dB(A) |
| HEB17110HU | -A | Ball | 110 | 80~130 | 50/60 | 61.20 | 4000 | 7.60 | 268.62 | 14.37 | 0.57 | 61.5 |
| HEB17110MU | -A | | | 80~130 | 50/60 | 32.00 | 3000 | 5.70 | 201.47 | 10.78 | 0.42 | 52.0 |
| HEB17110LU | -A | | | 80~130 | 50/60 | 10.50 | 2000 | 3.80 | 134.31 | 7.19 | 0.28 | 40.3 |
| HEB17220HU | -A | Ball | 220 | 100~240 | 50/60 | 60.00 | 4000 | 7.60 | 268.62 | 14.37 | 0.57 | 61.5 |
| HEB17220MU | -A | | | 100~240 | 50/60 | 32.00 | 3000 | 5.70 | 201.47 | 10.78 | 0.42 | 52.0 |
| HEB17220LU | -A | | | 100~240 | 50/60 | 10.50 | 2000 | 3.80 | 134.31 | 7.19 | 0.28 | 40.3 |