



无框架-三角支架 120x120x25mm-1

马达可选功能列表 (Available Functions)

1. 马达保护 (Moto protection)

AS

2. 信号输出 (Signal out put)

FG RD

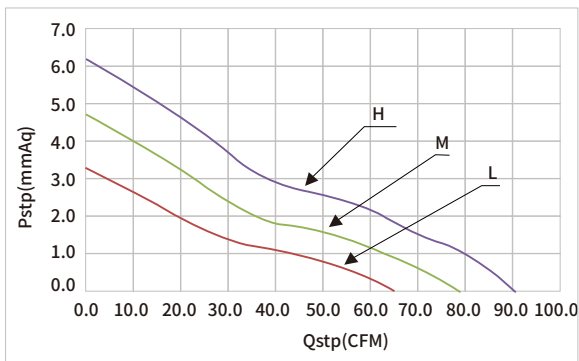
3. 调速方式 (Speed control mode)

PWM

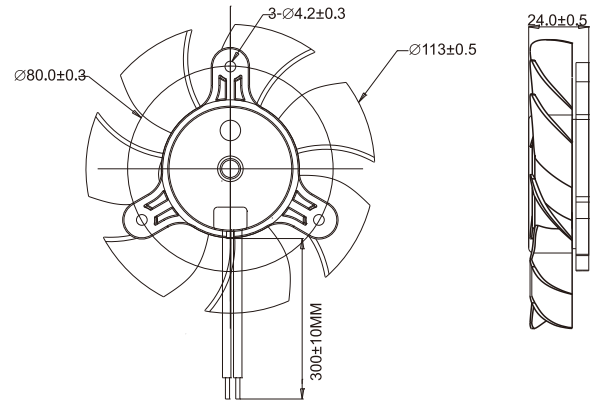


风扇单重: 80g (weight: 80g)

风扇P-Q曲线 / Fan performance curve



尺寸图 / DIMENSIONS DRAWING



| Model | | Bearing | Rated Voltage | Startup Voltage | Current | Power | Speed | Air Flow | | Static Pressure | | Noise |
|-------------|----------|---------------|---------------|-----------------|---------|-------|-------|---------------------|-------|--------------------|--------------------|-------|
| 型号 | 功能 | 轴承 | 工作电压 | 启动电压 | 电流 | 功率 | 转速 | 风量 | 风量 | 风压 | 风压 | 噪音 |
| Part NO. | Function | System | VDC | VDC | A | W | RPM | M ³ /min | CFM | mmH ₂ O | INH ₂ O | dB(A) |
| HYB1212HA-1 | | Sleeve / Ball | 12 | 6.0 | 0.32 | 3.84 | 2800 | 2.57 | 90.70 | 6.20 | 0.24 | 43.0 |
| HYB1212MA-1 | | | | 6.0 | 0.24 | 2.88 | 2400 | 2.24 | 79.20 | 4.72 | 0.19 | 39.1 |
| HYB1212LA-1 | | | | 6.0 | 0.18 | 2.16 | 2000 | 1.85 | 65.38 | 3.29 | 0.13 | 35.5 |