



AC-交流机风扇 254x254x89mm

马达可选功能列表 (Available Functions)

1. 马达保护 (Moto protection)

AS

2. 信号输出 (Signal out put)

FG

RD

3. 调速方式 (Speed control mode)

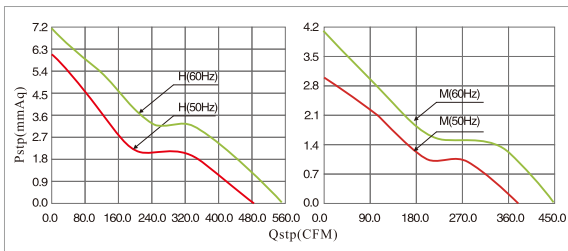
PWM

TC

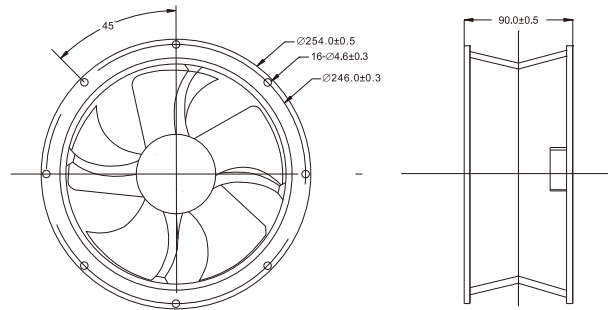


风扇单重:2170g (weight:2170g)

风扇P-Q曲线 / Fan performance curve



尺寸图 / DIMENSIONS DRAWING



| Model | | Bearing | Rated Voltage | Voltage Range | Freq. | Current | Speed | Air Flow | | Static Pressure | | Noise |
|-------------|----------|---------|---------------|---------------|-------|-----------|-----------|---------------------|---------|--------------------|--------------------|-------|
| 型号 | | 轴承 | 工作电压 | 电压范围 | 频率 | 电流 | 转速 | 风量 | | 风压 | | 噪音 |
| Part NO. | Function | System | VAC | VAC | Hz | A | RPM | M ³ /min | CFM | mmH ₂ O | INH ₂ O | dBA |
| HAB254110HX | W/T | Ball | 110 | 100-125 | 50/60 | 0.45/0.36 | 1380/1640 | 13.58/15.57 | 480/550 | 6.1/7.1 | 0.24/0.28 | 48/56 |
| HAB254110MX | W/T | | | 100-125 | 50/60 | 0.32/0.28 | 1100/1240 | 10.75/12.74 | 380/450 | 3.0/4.1 | 0.12/0.16 | 41/45 |
| HAB254220HX | W/T | Ball | 220 | 200-240 | 50/60 | 0.23/0.18 | 1380/1640 | 13.58/15.57 | 480/550 | 6.1/7.1 | 0.24/0.28 | 48/56 |
| HAB254220MX | W/T | | | 200-240 | 50/60 | 0.17/0.15 | 1100/1240 | 10.75/12.74 | 380/450 | 3.0/4.1 | 0.12/0.16 | 41/45 |