



无框架-一字支架 80x80x25mm-3

马达可选功能列表 (Available Functions)

1. 马达保护 (Moto protection)

AS

2. 信号输出 (Signal out put)

FG

RD

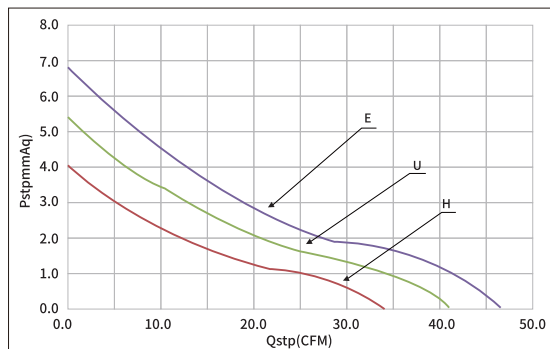
3. 调速方式 (Speed control mode)

PWM

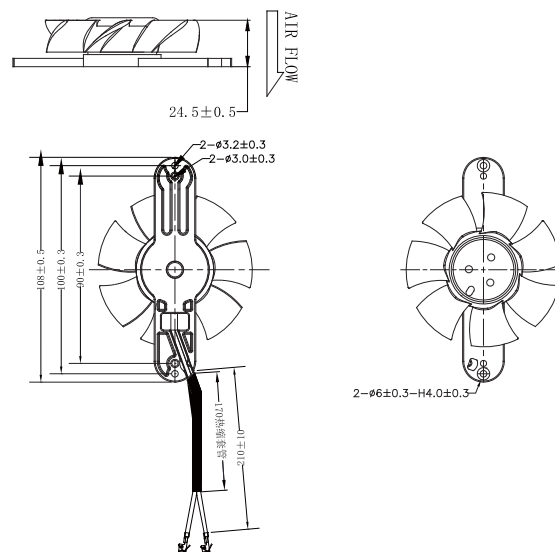


风扇单重: 60g (weight: 60g)

风扇P-Q曲线 / Fan performance curve



尺寸图 / DIMENSIONS DRAWING



FRAMELESS FAM
无框架支架

| Model | Bearing | Rated Voltage | Startup Voltage | Current | Power | Speed | Air Flow | Static Pressure | Noise | |
|-------------|--------------|---------------|-----------------|---------|-------|-------|------------|-------------------------|---------------------------------------|-----|
| 型号 | 轴承 | 工作电压 | 启动电压 | 电流 | 功率 | 转速 | 风量 | 风压 | 噪音 | |
| Part NO. | Function | System | VDC | VDC | A | W | RPM | M ³ /min CFM | mmH ₂ O INH ₂ O | dBA |
| HYB0812EA-3 | Sleeve /Ball | 12 | 6.0 | 0.38 | 4.56 | 4000 | 1.32 46.57 | 6.82 0.27 | 40.7 | |
| HYB0812UA-3 | | | 6.0 | 0.28 | 3.36 | 3500 | 1.16 41.09 | 5.44 0.21 | 39.4 | |
| HYB0812HA-3 | | | 6.0 | 0.23 | 2.76 | 3000 | 0.97 34.21 | 4.04 0.16 | 35.5 | |

■ 提示1: 目录首页有功能的详细信息。 Notes1: The catalog have detail information in the front page for the functions.
 ■ 提示2: 如果您需要列表中的其他转速或电压或功能, 请与我们的业务联系。 Notes2: If you need other speed or voltage or function in the list, please contact our business.